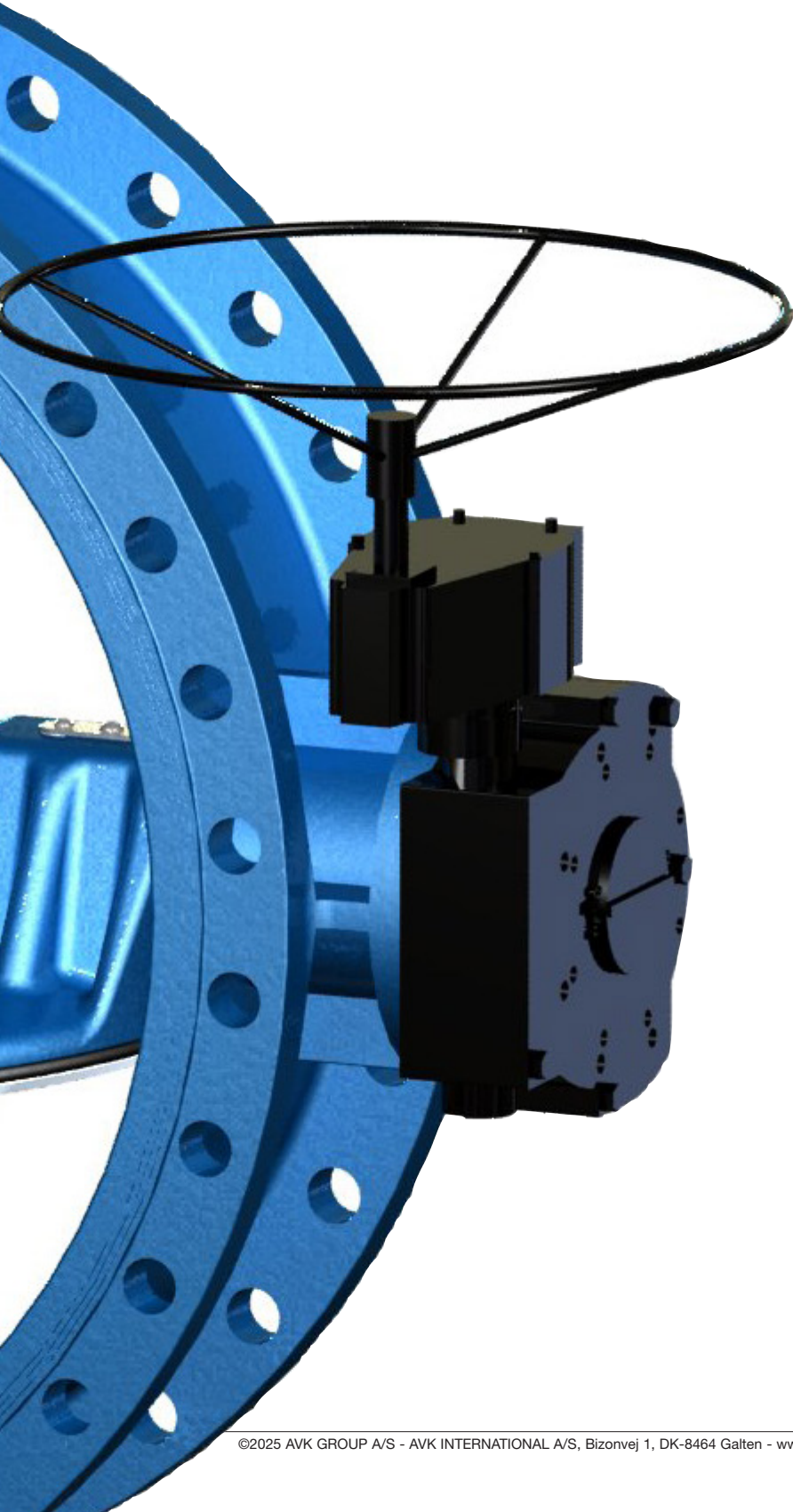




# HOW TO ORDER, FOR DN150-1400 AVK DOUBLE ECCENTRIC BUTTERFLY VALVES SERIES 756

Valve with gearbox IP67, for chamber/above ground applications .....	2
Valve with gearbox IP68, for buried applications .....	3
Valve with gearbox IP67 or IP68, for chamber/above ground applications .....	4
Valve with ISO flange gearbox IP67 or IP68, prepared for electric actuator .....	5



# HOW TO ORDER, FOR DN150-1400

## AVK DOUBLE ECCENTRIC BUTTERFLY VALVES

### SERIES 756

#### VALVE WITH GEARBOX IP67, FOR CHAMBER/ABOVE GROUND APPLICATIONS

##### Integral seat

756-xxxx-104, DN200-1200 PN10  
 756-xxxx-114, DN150-1200 PN16  
 xxxx for dimensions DN0150-1200 PN10/16

##### Stainless steel seat AISI 304

756-xxxx-10400009, DN200-1200 PN10  
 756-xxxx-11400009, DN150-1200 PN16  
 xxxx for dimensions DN0150-1200 PN10/16

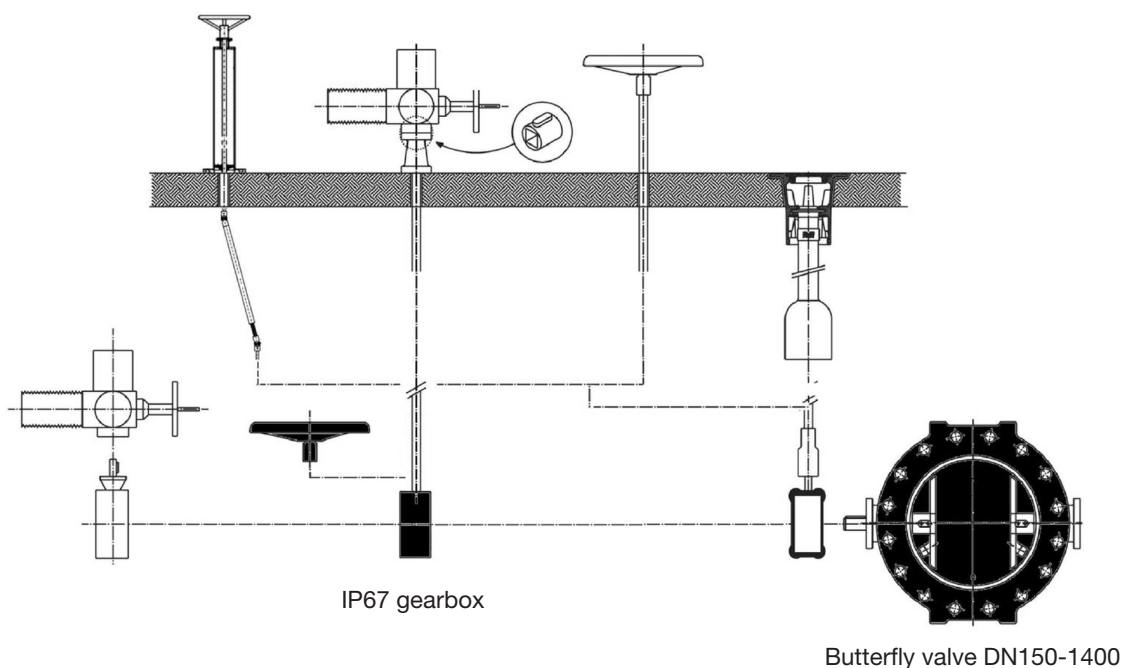
##### Welded seat AISI 309L

756-xxxx-104000047, DN200-1400 PN10  
 756-xxxx-114000047, DN200-1400 PN16  
 xxxx for dimensions DN0150-1400 PN10/16

The above codes include valve and gearbox with handwheel.

Valve size DN	Handwheel max. closing torque (Nm)			Turns to open (revolutions)			Free running torque (Nm)
	PN10	PN10/16	PN16	PN10	PN10/16	PN16	
150		15			8.5		7
200	35		40		8.5		7
250	40		50		8.5		7
300	70		75	8.5		9.5	7
350	80		85	8.5		9.5	7
400	80		90		9.5		7
450		85		9.5		14	7
500	95		105	9.5		14	7
600	140		105	14		27	7
700	115		85	27		54	12
800	135		100	27		54	12
900		100		54		82	12
1000	100		120	61		82	12
1200	115		90	82		182	12
1400	100		95	117		182	12

All items marked with solid black in below illustration are included in the above configuration.



This valve installation is only for ON/OFF duty.

# HOW TO ORDER, FOR DN150-1400

## AVK DOUBLE ECCENTRIC BUTTERFLY VALVES

### SERIES 756

#### VALVE WITH GEARBOX IP68, FOR BURIED APPLICATIONS

##### Integral seat

756-xxxx-104006, DN200-1200 PN10  
 756-xxxx-114006, DN150-1200 PN16  
 xxxx for dimensions DN0150-1200 PN10/16

##### Stainless steel seat AISI 304

756-xxxx-10400609, DN200-1200 PN10  
 756-xxxx-11400609, DN150-1200 PN16  
 xxxx for dimensions DN0150-1200 PN10/16

##### Welded seat AISI 309L

756-xxxx-104006047, DN200-1400 PN10  
 756-xxxx-114006047, DN150-1400 PN16  
 xxxx for dimensions DN0150-1400 PN10/16

The above codes include valve and gearbox.  
 To select accessories, use the below list of options.

#### Extension spindle

	Length
04-400-900020042	450-700
04-400-905020042	650-1100
04-400-910020042	1050-1750
04-400-915020042	1700-2900
04-400-922020042	2850-5250

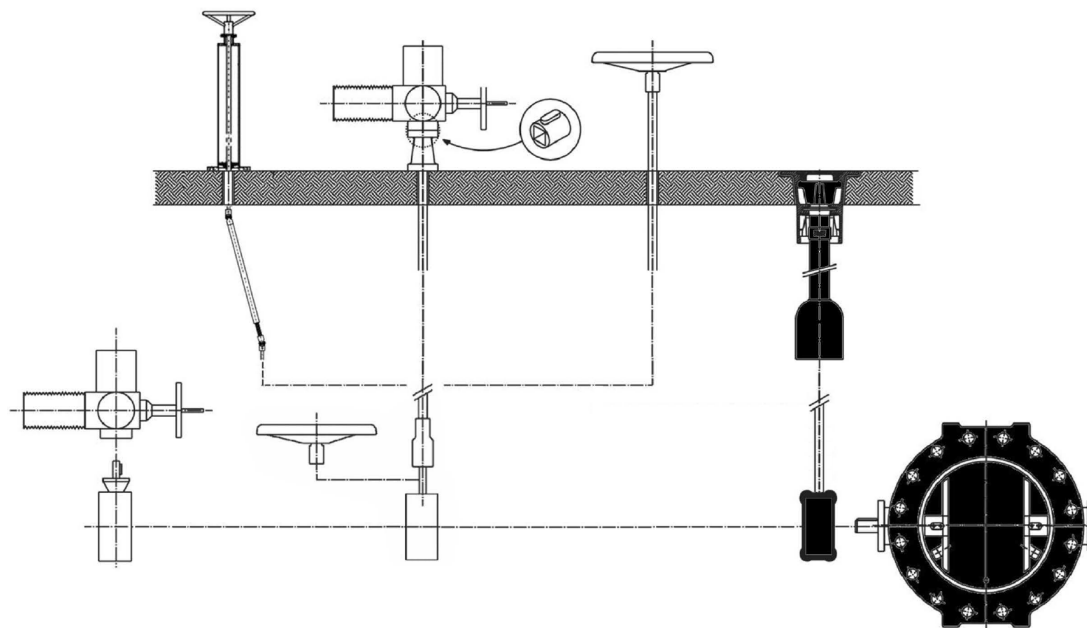
#### Floating surface box, polyamide body and ductile iron lid

04-007-25-05900	Ø210	Round flange with blue epoxy, round lid inscr. "V" and AVK logo
04-007-25-10900	#180	Square flange with blue epoxy, round lid inscr. "V" and AVK logo
04-007-25-05908	Ø210	Round flange with black epoxy, round lid inscr. "V" and AVK logo
04-007-25-10908	#180	Square flange with black epoxy, round lid inscr. "V" and AVK logo

#### T-key

04-050-2100	T-key # 23-32
-------------	---------------

Items marked with solid black in below illustration are used in the above configuration.



Butterfly valve DN150-1400



This valve installation is only for ON/OFF duty.

# HOW TO ORDER, FOR DN150-1400

## AVK DOUBLE ECCENTRIC BUTTERFLY VALVES

### SERIES 756

#### VALVE WITH GEARBOX IP67 OR IP68, FOR CHAMBER/ABOVE GROUND APPLICATIONS

##### Integral seat / gear IP67

756-xxxx-104, DN200-1200 PN10  
 756-xxxx-114, DN150-1200 PN16  
 xxxx for dimensions DN0150-1200 PN10/16

##### Stainless steel seat AISI 304 / gear IP67

756-xxxx-10400009, DN200-1200 PN10  
 756-xxxx-11400009, DN150-1200 PN16  
 xxxx for dimensions DN0150-1200 PN10/16

##### Welded seat AISI 309L / gear IP67

756-xxxx-104000047, DN200-1400 PN10  
 756-xxxx-114000047, DN200-1400 PN16  
 xxxx for dimensions DN0200-1400 PN10/16

##### Integral seat / Gear IP68

756-xxxx-104005, DN200-1200 PN10  
 756-xxxx-114005, DN150-1200 PN16  
 xxxx for dimensions DN0150-1200 PN10/16

##### Stainless steel seat AISI 304 / Gear IP68

756-xxxx-10400509, DN200-1200 PN10  
 756-xxxx-11400509, DN150-1200 PN16  
 xxxx for dimensions DN0150-1200 PN10/16

The above codes include valve and gearbox.  
 To select accessories, use the below list of options.

#### Extension spindle

	Length
04-600-9-0002	450-700
04-600-9-0502	650-1100
04-600-9-1002	1050-1750
04-600-9-1502	1700-2900
04-600-9-2202	2850-5250

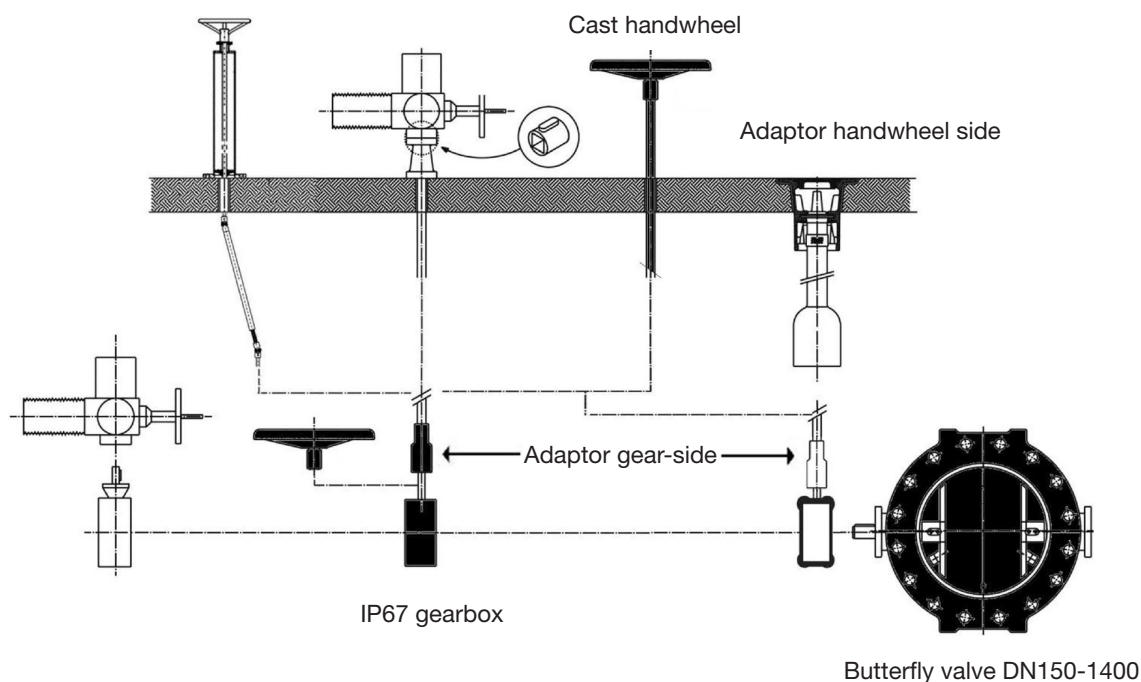
#### Handwheel extension kit:

082001100001:	Handwheel Ø360, adaptor handwheel, galvanized rod 1000 mm, adaptor gearbox, DN150-600 CTC PN10/16
084001100001:	Handwheel Ø640, adaptor handwheel, galvanized rod 1000 mm, adaptor gearbox, DN700-1400 CTC PN10/16

#### Cast handwheel:

08-200-110000	Handwheel, Ø360 (incl. A2 Hex bolt and washer), DN150-600 CTC PN10/16
08-400-1100001	Handwheel, Ø640 (incl. A2 Hex bolt and washer), DN700-1200 CTC PN10/16

Items marked with solid black in below illustration are used in the above configuration.



This valve installation is only for ON/OFF duty.

# HOW TO ORDER, FOR DN150-1400 AVK DOUBLE ECCENTRIC BUTTERFLY VALVES SERIES 756

## VALVE WITH ISO FLANGE GEARBOX IP67 OR IP68, PREPARED FOR ELECTRIC ACTUATOR

### Integral seat

756-xxxx-1040yy, DN200-1200 PN10  
756-xxxx-1140yy, DN150-1200 PN16  
xxxx for dimensions DN0150-1200 PN10/16

### Stainless steel seat AISI 304

756-xxxx-1040yy09, DN200-1200 PN10  
756-xxxx-1140yy09, DN150-1200 PN16  
xxxx for dimensions DN0150-1200 PN10/16

yy for IP class of gearbox:

yy=02: Rotork gearbox with ISO input flange IP67, clockwise to close. With position indicator

yy=22: Rotork gearbox with ISO input flange IP68, clockwise to close. With position indicator and padlock handwheel

yy=36: Rotork gearbox with ISO input flange IP68, clockwise to close. With position indicator

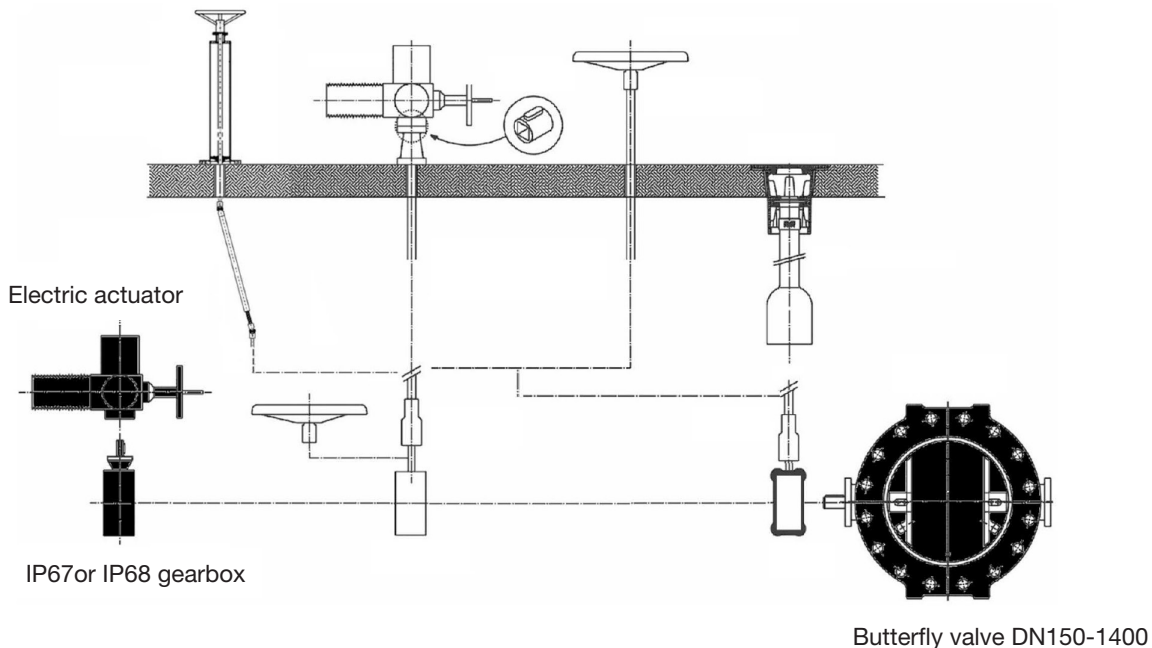
The above codes include valve and gearbox.

To select electric actuator, use the table on the following page.

### Handwheel with padlock

756-0500-99-020001

Items marked with solid black in below illustration are used in the above configuration.



This valve installation is only for ON/OFF duty.

**HOW TO ORDER, FOR DN150-1400  
AVK DOUBLE ECCENTRIC BUTTERFLY VALVES  
SERIES 756**

AVK butterfly valve						AUMA actuator				
DN	PN	Turns to open	Open/close torque Nm.*	Mechanical advantage	Ratio	AUMA type no.	Output drive	Max. torque Nm.	Open/close speed rpm.	Open/close time sec.
150	10	8,50	18	12	34:1	SA 07.2	B3-Ø20	30	5,6	91
150	16	8,50	18	12	34:1	SA 07.2	B3-Ø20	30	5,6	91
200	10	8,50	40	12	34:1	SA 07.6	B3-Ø20	60	5,6	91
200	16	8,50	48	12	34:1	SA 07.6	B3-Ø20	60	5,6	91
250	10	8,50	48	12	34:1	SA 07.6	B3-Ø20	60	5,6	91
250	16	8,50	60	12	34:1	SA 07.6	B3-Ø20	60	5,6	91
300	10	12,00	53	15	48:1	SA 07.6	B3-Ø20	60	5,6	129
300	16	50,25	20	57,8	201:1	SA 07.2	B3-Ø20	30	22	137
350	10	50,25	20	57,8	201:1	SA 07.2	B3-Ø20	30	22	137
350	16	50,25	23	57,8	201:1	SA 07.2	B3-Ø20	30	22	137
400	10	50,25	22	57,8	201:1	SA 07.2	B3-Ø20	30	22	137
400	16	50,25	25	57,8	201:1	SA 07.2	B3-Ø20	30	22	137
450	10	50,25	23	57,8	201:1	SA 07.2	B3-Ø20	30	22	137
450	16	46,00	30	61	184:1	SA 07.2	B3-Ø20	30	22	125
500	10	50,25	26	57,8	201:1	SA 07.2	B3-Ø20	30	22	137
500	16	46,00	39	61	184:1	SA 07.6	B3-Ø20	60	22	125
600	10	48,00	51	61	192:1	SA 07.6	B3-Ø20	60	22	131
600	16	60,75	53	77	243:1	SA 07.6	B3-Ø20	60	22	166
700	10	60,75	58	77	243:1	SA 07.6	B3-Ø20	60	22	166
700	16	114,00	45	145	456:1	SA 07.6	B3-Ø20	60	22	311
800	10	76,00	54	97	304:1	SA 07.6	B3-Ø20	60	22	207
800	16	114,00	55	145	456:1	SA 07.6	B3-Ø20	60	45	152
900	10	114,00	54	145	456:1	SA 07.6	B3-Ø20	60	45	152
900	16	76,00	116	97	304:1	SA 10.2	B3-Ø20	120	22	207
1000	10	192,00	40	240	768:1	SA 07.6	B3-Ø20	60	45	256
1000	16	192,00	56	240	768:1	SA 07.6	B3-Ø20	60	45	256
1200	10	192,00	54	240	768:1	SA 07.6	B3-Ø20	60	45	256
1200	16	143,00	120	179	572:1	SA 10.2	B3-Ø20	120	45	191
1400	10	192,00	71	240	768:1	SA 10.2	B3-Ø20	120	45	256
1400	16	192,00	103	233	768:1	SA 10.2	B3-Ø20	120	45	256

\* Safety factor included.